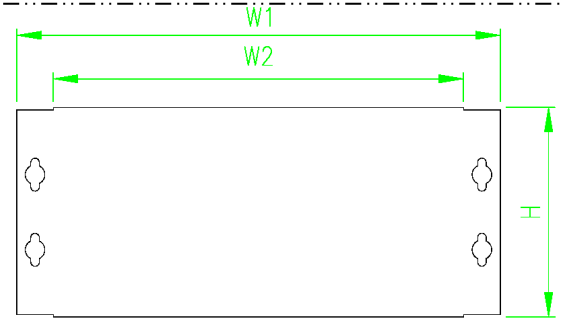
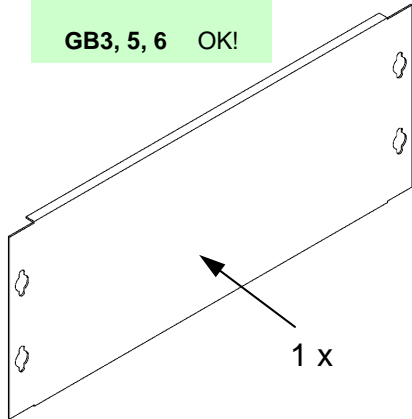


### GB2-FC/..

GB2, GBF OK!

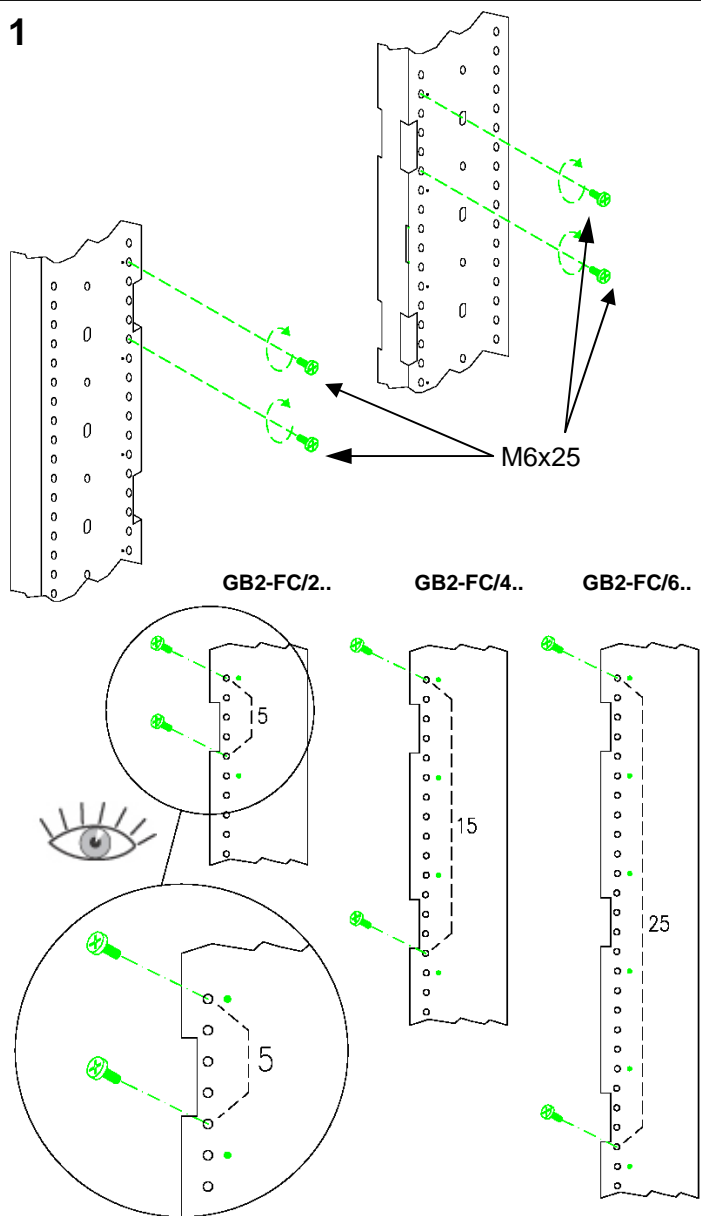
GB3, 5, 6 OK!

4 x  
M6x25

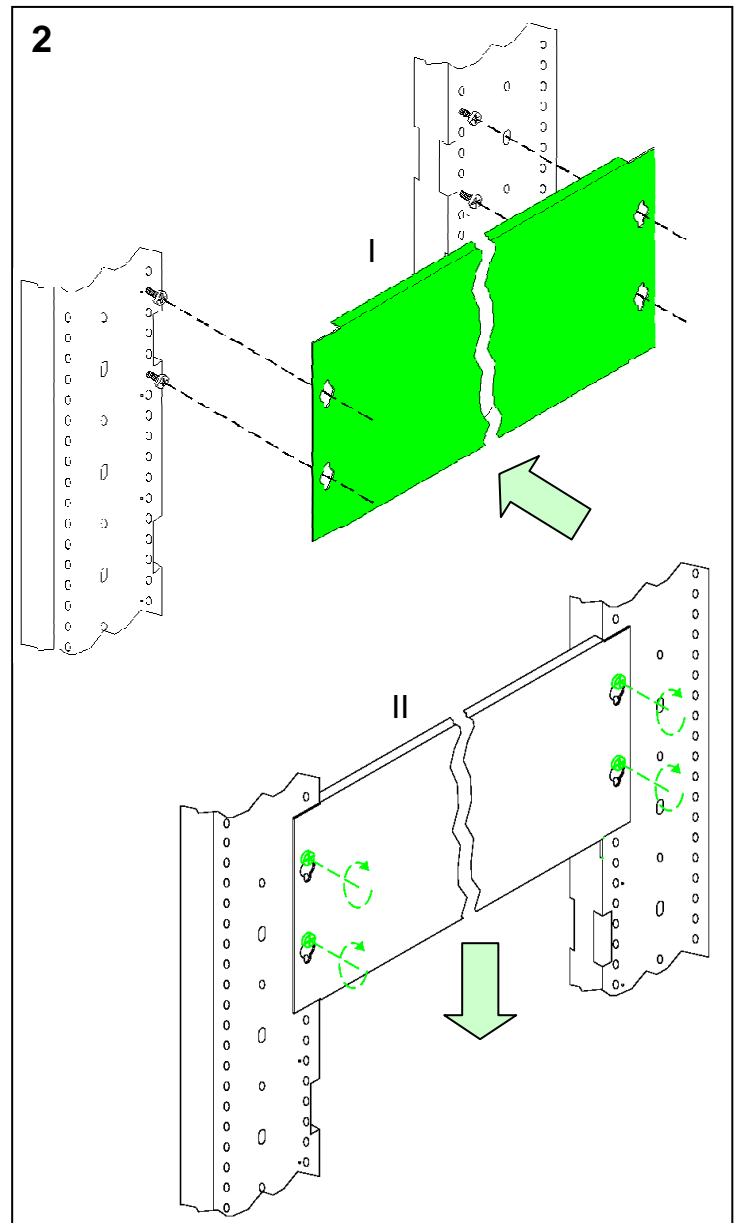



	H [mm]	W1 [mm]	W2 [mm]
GB2-FC/2	195	490	430
GB2-FC/28	195	705	705
GB2-FC/4	395	490	430
GB2-FC/48	395	705	705
GB2-FC/6	595	490	430
GB2-FC/68	595	705	705

1

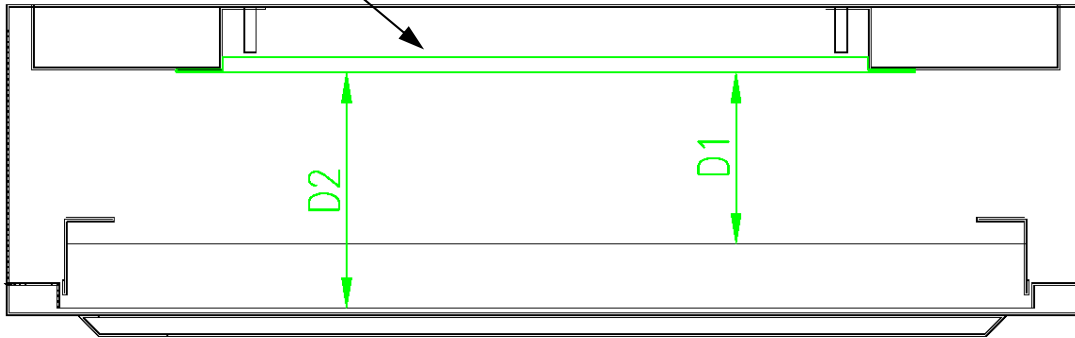


2



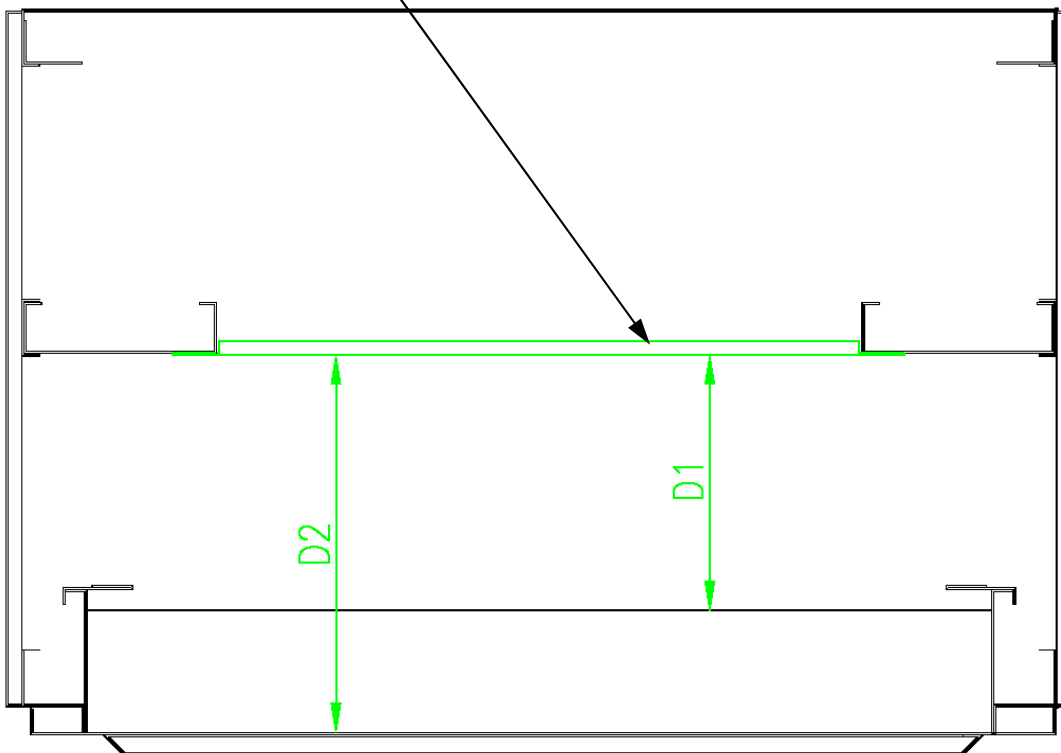
	D1 [mm]	D2 [mm]
<b>GB2</b>	118	168
<b>GBF</b>	118	168
<b>GB3</b>	168	263
<b>GB5</b>	168	263
<b>GB6</b>	168	263

GB2-FC/..



**GB2, GBF**

GB2-FC/..



**GB3, GB5, GB6**