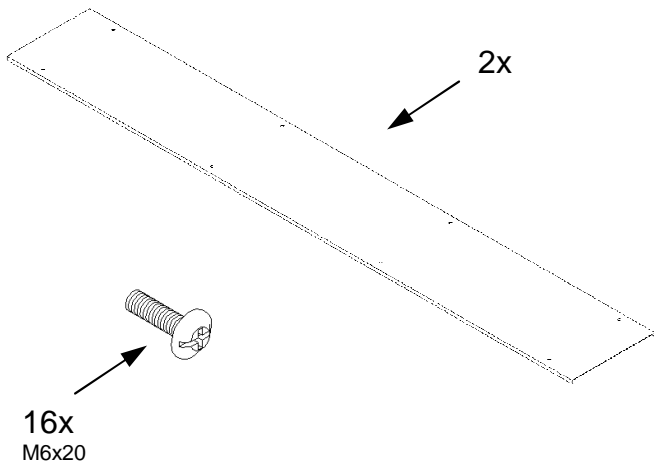
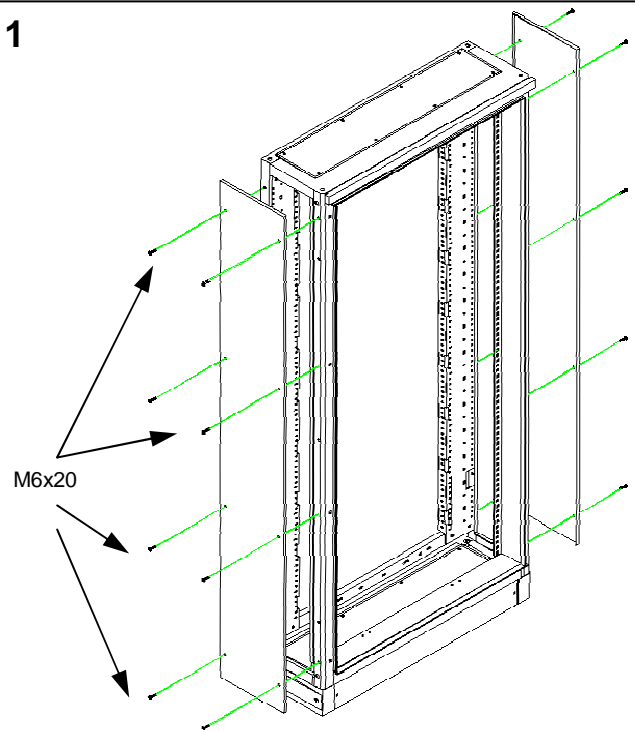


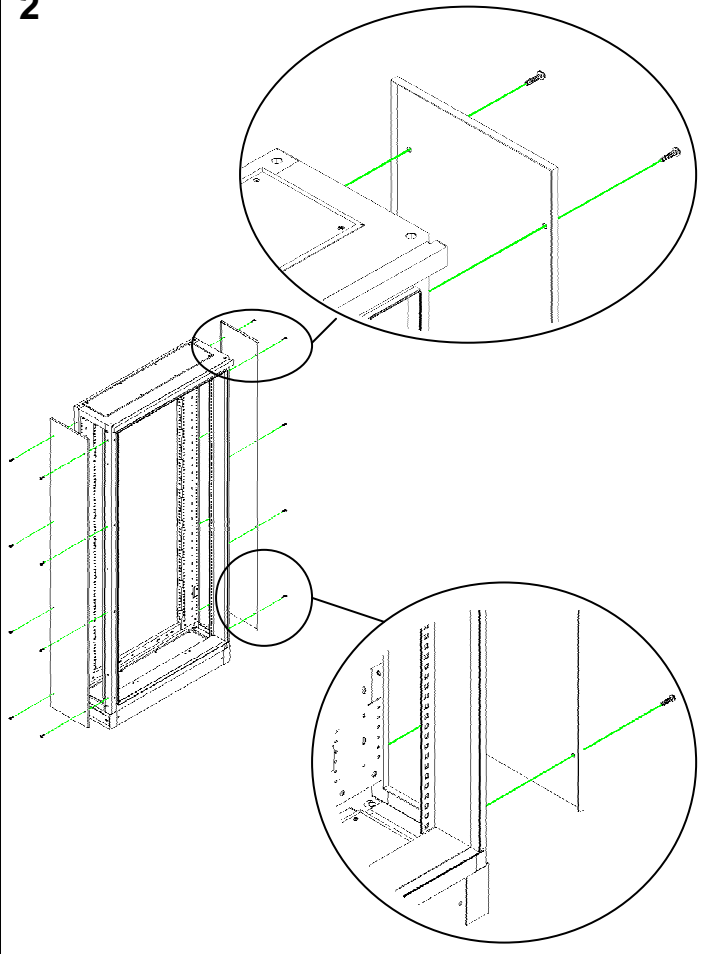
GB.-L/..



1



2



3

